

BORONIA

WATERFREE URINAL
VITREOUS CHINA



Used in conjunction with our High Performance Key-Valve (HPKV), the most robust, high performance dry valve in the market. Through our patent-pending Bell Valve our HPKV technology provides safe, long lasting, low odor performance.

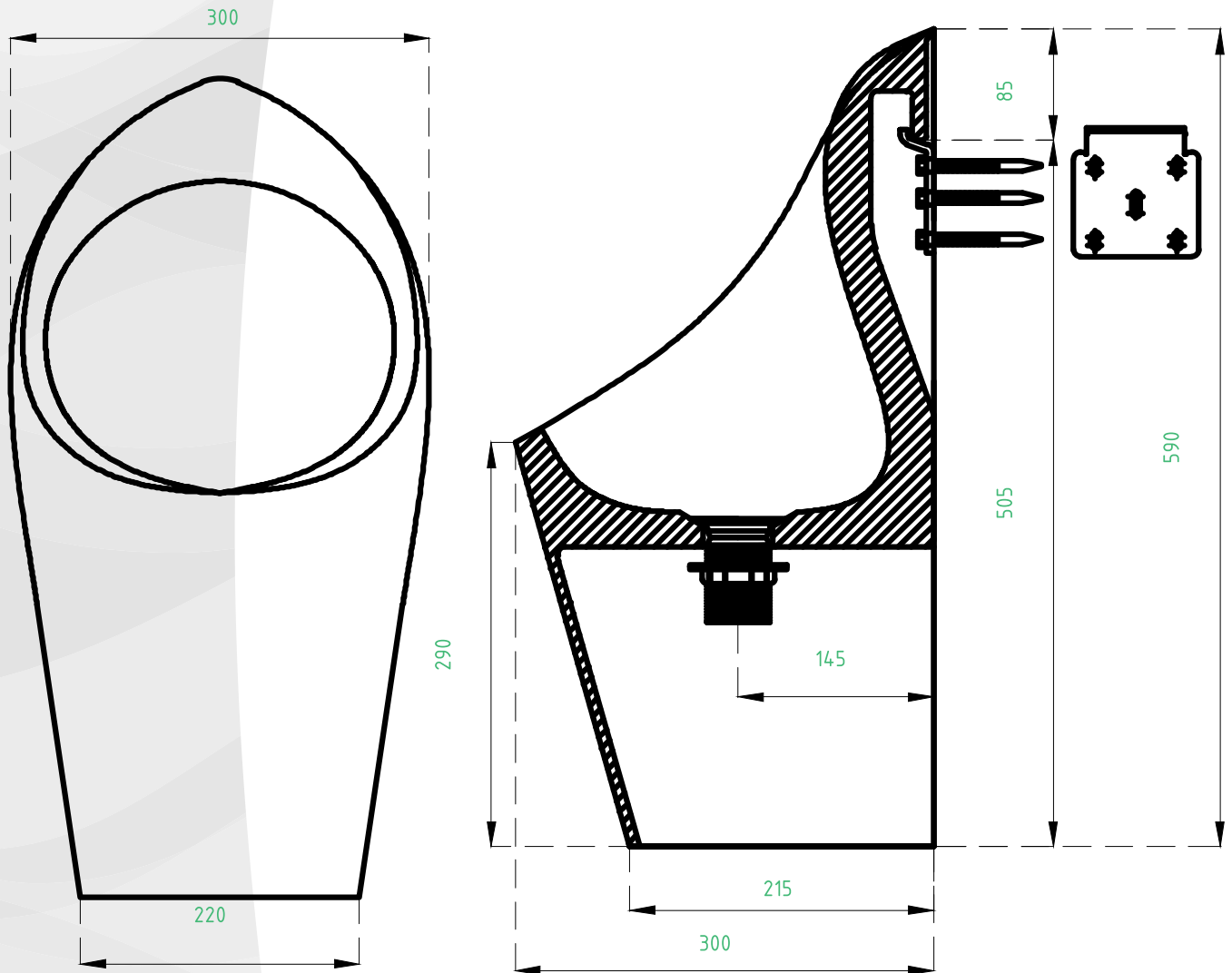


Falcon Waterfree urinals reduce water and sewer costs, maintenance and repair bills, and create more hygienic, odour-free restrooms. A patented, sealed cartridge eliminates the need for water, conserving an average of 150,000 litres per urinal each year.

With waterfree urinals, water does not have to be pumped to or from the urinal. This saves energy, which in turn reduces carbon dioxide emissions associated with energy production - emissions that would otherwise contribute to global warming.

Purchasing and installing Falcon Waterfree urinals is less expensive than manual and automatic flush units because flush valves and associated piping are not required. Maintenance costs and vandalism problems associated with flush valves are also eliminated.

FEATURES	BENEFITS
• Touch-free operation	• Improved hygiene and safety
• Uses no water	• Reduced water and sewer costs
• Mechanical-free design	• No costly flush valve or sensor repairs
• Patented, sealed locking cartridge	• Odour-free and vandal proof
• Maintenance-free cartridge	• No need to replenish sealant between changes
• Smooth, non-porous surfaces	• Minimal care and easy cleaning
• Vitreous china bowl	• Unsurpassed durability



These dimensions are for informational purposes only. For specific rough-in dimensions, please refer to specification sheets available on our web site or contact us directly.

AUSTRALIAN WATERLESS PTY LTD

PO Box 411, Hamilton NSW 2303
sales@waterless-urinals.com

Phone: 043 2266 457

www.australianwaterless.com.au

WATERLESS TECHNOLOGIES

8E Vega Place, Mairangi Bay 0632
sales@waterless.co.nz

Phone: 0800 998 000

www.waterless.co.nz