

# BORONIA

WATERFREE URINAL  
VITREOUS CHINA



Falcon Waterfree urinals reduce water and sewer costs, maintenance and repair bills, and create more hygienic, odour-free restrooms. A patented, sealed cartridge eliminates the need for water, conserving an average of 236,000 liters per urinal each year.

With waterfree urinals, water does not have to be pumped to or from the urinal. This saves energy, which in turn reduces carbon dioxide emissions associated with energy production - emissions that would otherwise contribute to global warming.

Purchasing and installing Falcon Waterfree urinals is less expensive than manual and automatic flush units because flush valves and associated piping are not required. Maintenance costs and vandalism problems associated with flush valves are also eliminated.

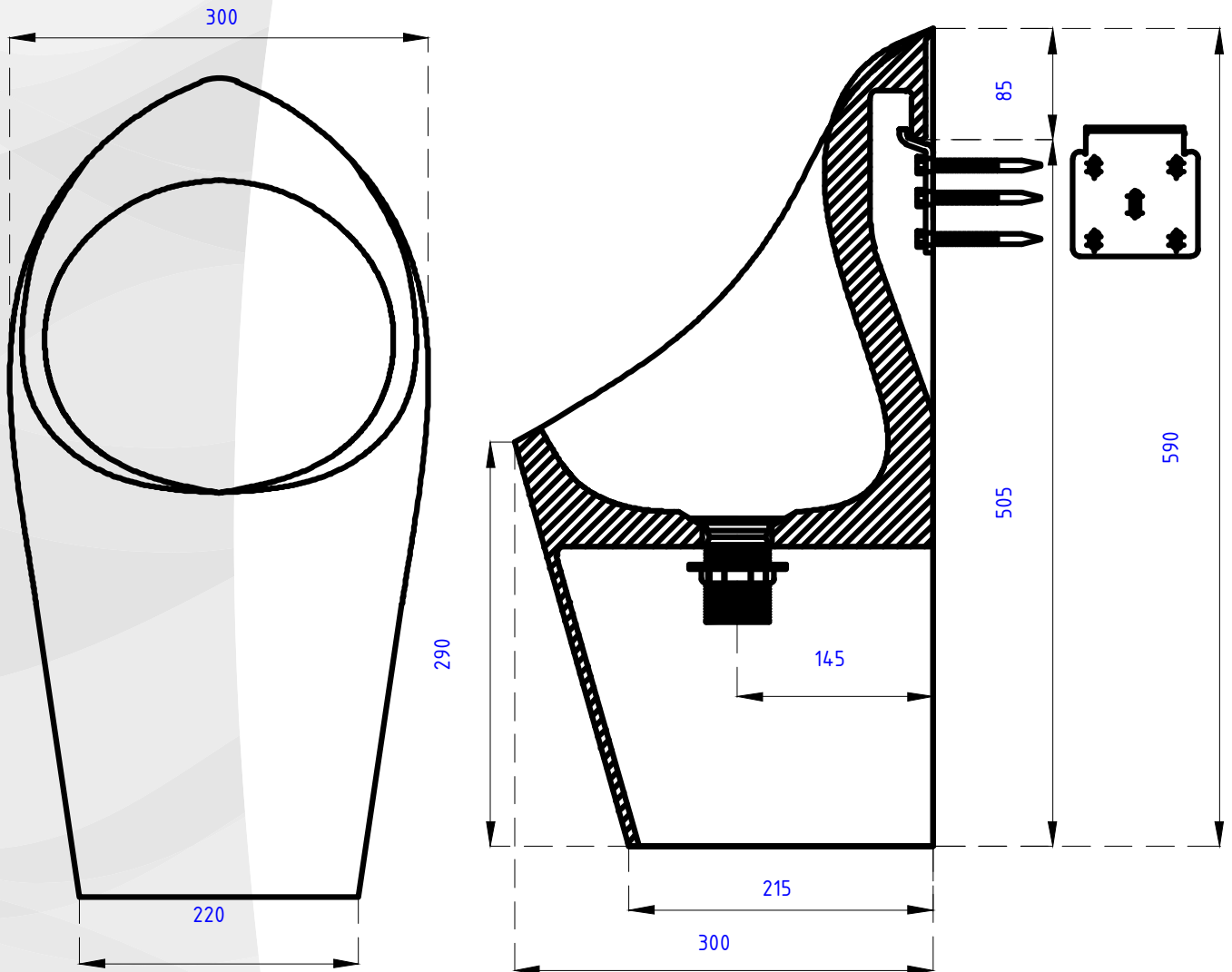
Used in conjunction with our High Performance Key-Valve (HPKV), the most robust, high performance dry valve in the market. Through our patent-pending Bell Valve our HPKV technology provides safe, long lasting, low odor performance.



FEATURES	BENEFITS
• Touch-free operation	• Improved hygiene and safety
• Uses no water	• Reduced water and sewer costs
• Mechanical-free design	• No costly flush valve or sensor repairs
• Patented, sealed locking cartridge	• Odour-free and vandal proof
• Maintenance-free cartridge	• No need to replenish sealant between changes
• Smooth, non-porous surfaces	• Minimal care and easy cleaning
• Vitreous china bowl	• Unsurpassed durability

# BORONIA

WATERFREE URINAL • VITREOUS CHINA



These dimensions are for informational purposes only. For specific rough-in dimensions, please refer to specification sheets available on our web site or contact us directly.

**AUSTRALIAN WATERLESS PTY LTD**  
PO Box 411, Hamilton NSW 2303  
sales@waterless-urinals.com

Phone: 043 2266 457  
www.australianwaterless.com.au

**SOUTH PACIFIC WATERLESS LTD**  
8e Vega Pl, Mairangi Bay, Auckland  
chris@waterless.co.nz

Phone: 0800 998 000  
www.waterless.co.nz

